



RESULTS

REVISED
06/04/2005

*of Conflict checking of BOTTOM
LEVEL ACCESS PLATFORMS
(SECTOR 13)*

Done by Lasha Sharmazanashvili

17/03/2005

CATIA has been identified lot of conflicts of models:

AT392123MQ – *BOTTOM LEVEL ACCESS PLATFORMS (SECTOR 13)* with Toroid Magnets, Muon Spectrometer, Services and Support Structure.

List of conflicts have not been checked yet with responsible designer of access platforms madam Nikitina Liudmila

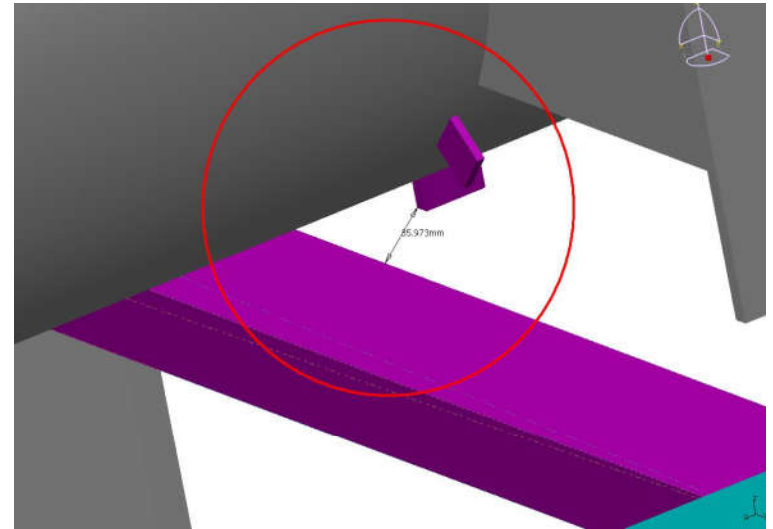
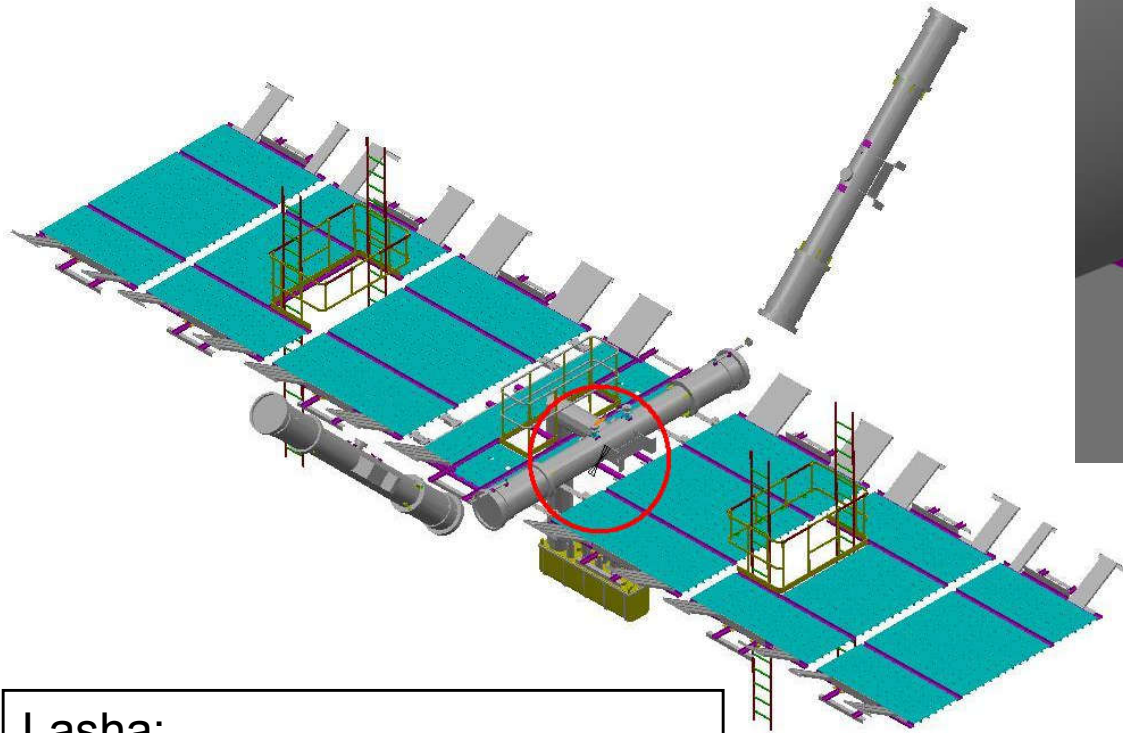
Control method includes Clash and Clearance analysis.

Clearance has been taken 50mm according to T.Kliutchnikova

Results are below.

Conflict list of AT392123MQ – *BOTTOM LEVEL ACCESS PLATFORMS (SECTOR 13)*
with Toroid Magnets:

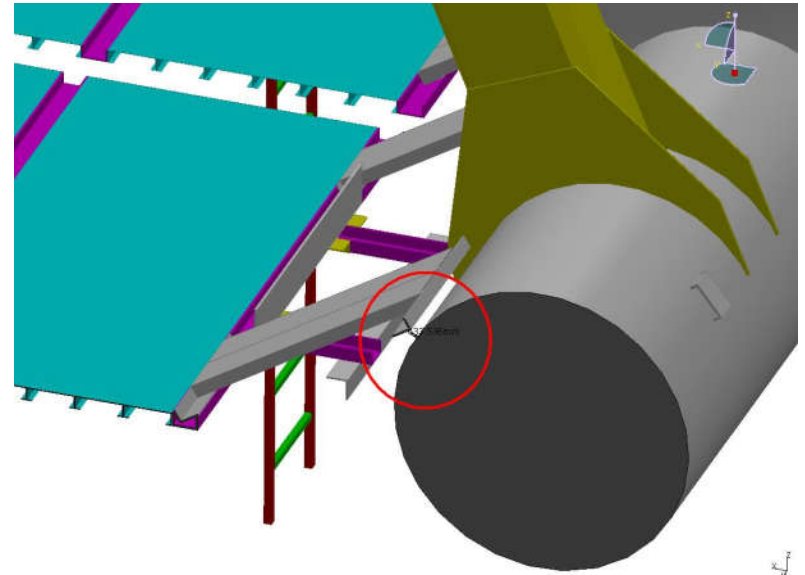
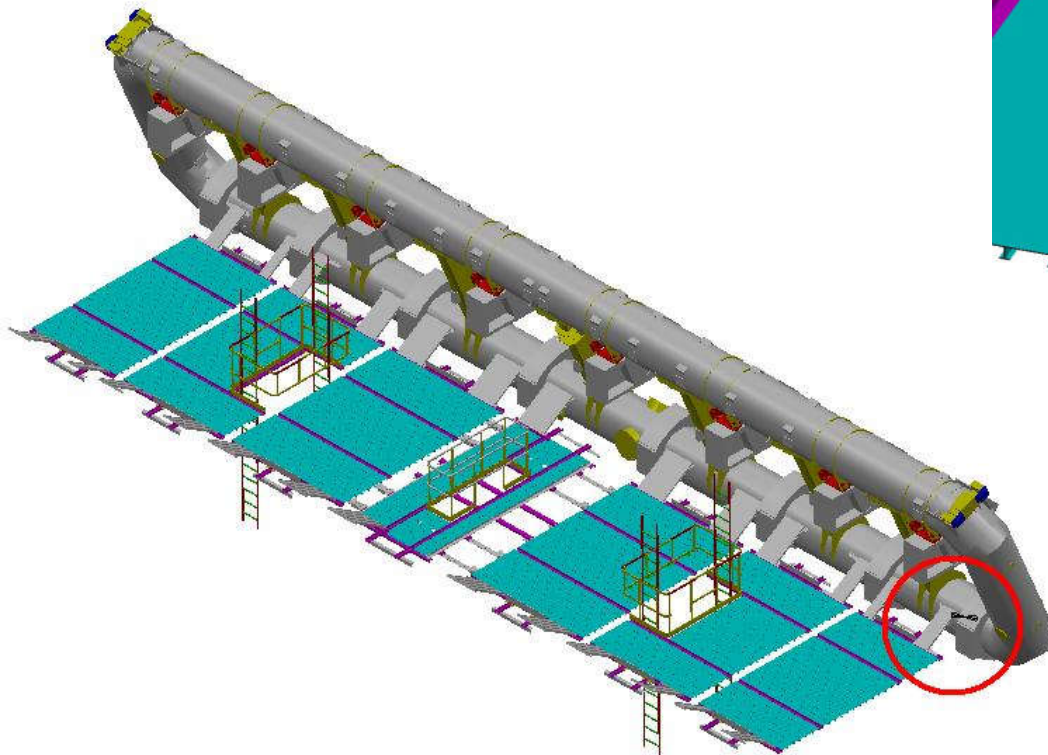
	<i>Platform</i>	<i>Toroid Magnets</i>	<i>Conflict</i>	<i>Value</i>	<i>Status</i>	<i>Revised with</i>	<i>Comments</i>
1	AT392123MQ	NTB__0004 TB (CRYORING BOTTOM SECTORS - (11, 13, 15))	Clearance	35.97mm	Relevant	L.Nikitina	
2	AT392123MQ	NTB__0002 (TB FEET COIL - SECTOR 12)	Clearance	33.54mm	Not Relevant	L.Nikitina	
3	AT392123MQ	NTB__0007 (TB FEET COIL - SECTOR 14)	Clearance	33.54mm	Not Relevant	L.Nikitina	



Lasha:
Liudmila Cross-out this conflict without any comments. I remain it as RELEVANT to pay attention of integration team

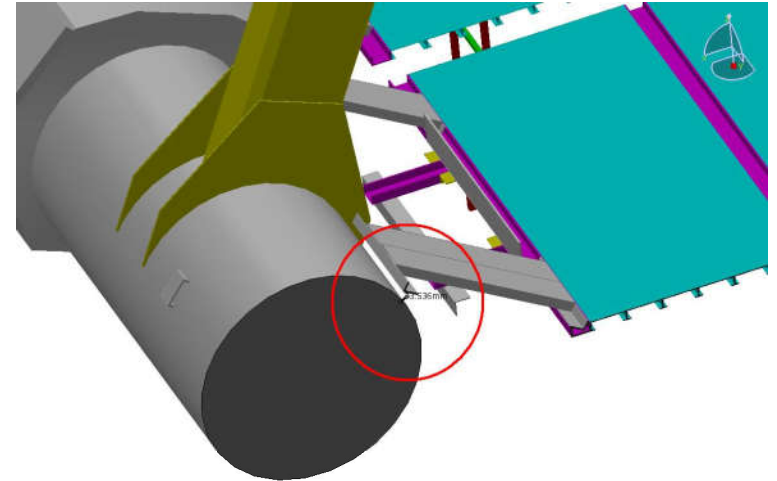
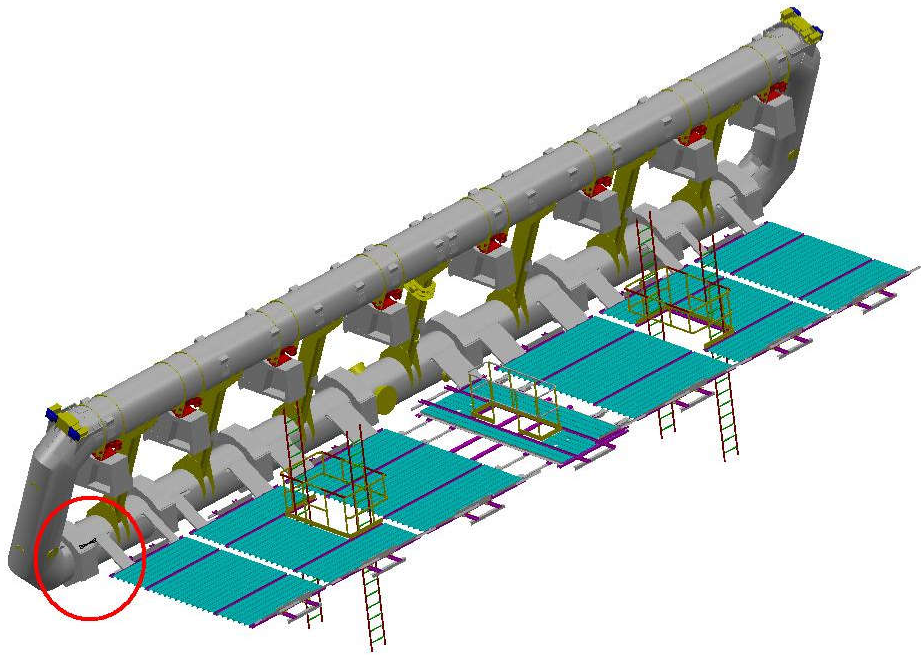
Critical distance with value =36mm
Sector 13, Side C

AT392123MQ - NTB__0002 (TB FEET COIL - SECTOR 12)



Liudmila:
Mobile part

Critical distance with value =34mm
Sector 12, Side C



Liudmila:
Mobile part

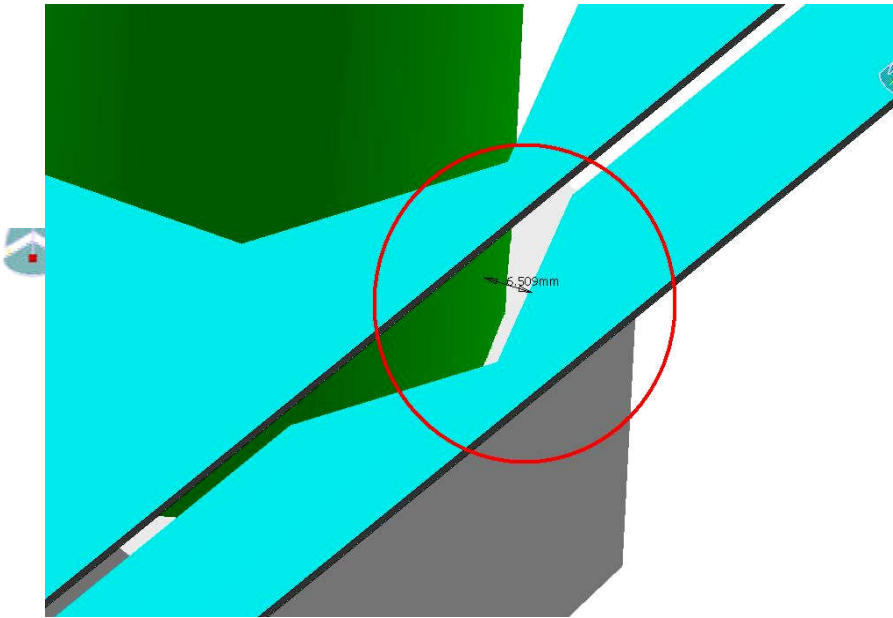
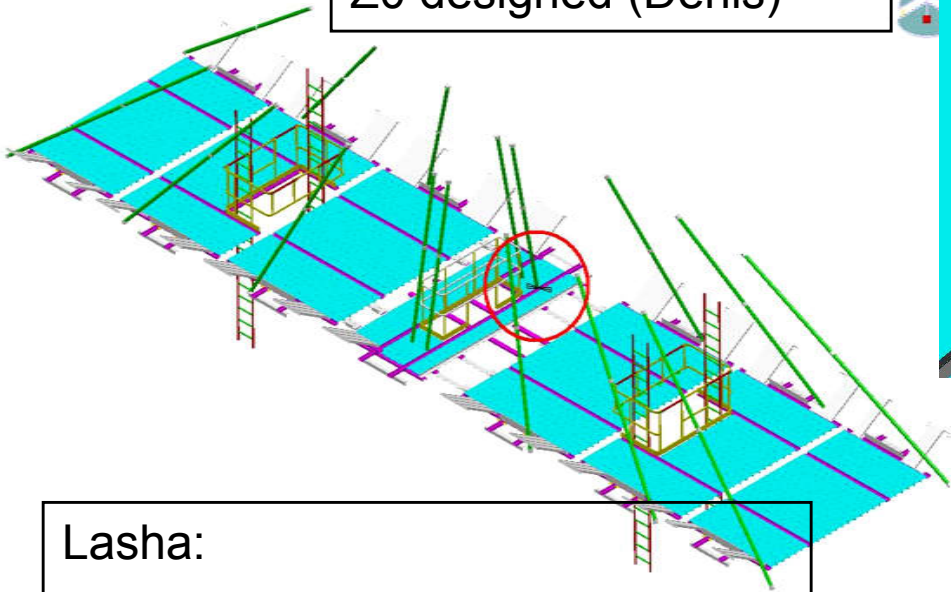
Critical distance with value =34mm
Sector 14, Side C

Conflict list of AT392123MQ – *BOTTOM LEVEL ACCESS PLATFORMS (SECTOR 13)*
with Muon Spectrometer :

	<i>Platform</i>	<i>Toroid Magnets</i>	<i>Conflict</i>	<i>Value</i>	<i>Status</i>	<i>Revised with</i>	<i>Comments</i>
1	AT392123MQ	NMA__0007 TB (Barrel Projective Alignment - SECTORS - 13)	Clearance	6.51mm	Relevant	L.Nikitina	

Conflict list of AT392123MQ – *BOTTOM LEVEL ACCESS PLATFORMS (SECTOR 13)* with Muon Spectrometer

Liudmila:
Central part to be
configured after service
Z0 designed (Denis)



Lasha:
I remain it as RELEVANT while
conflict is not with Z0 services but
with Barrel projective Alignment

Critical distance with value =6.5mm
Sector 13, Side C

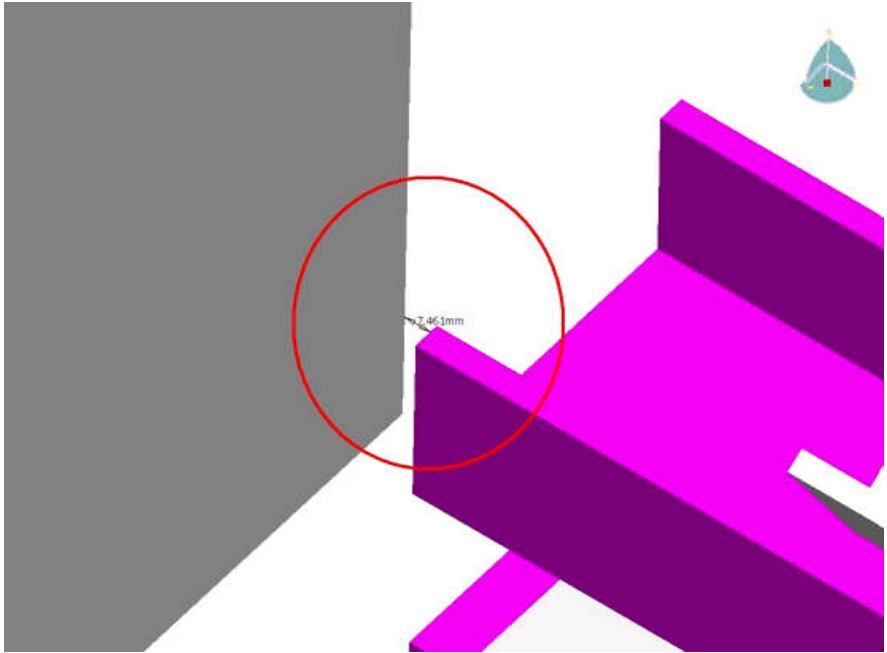
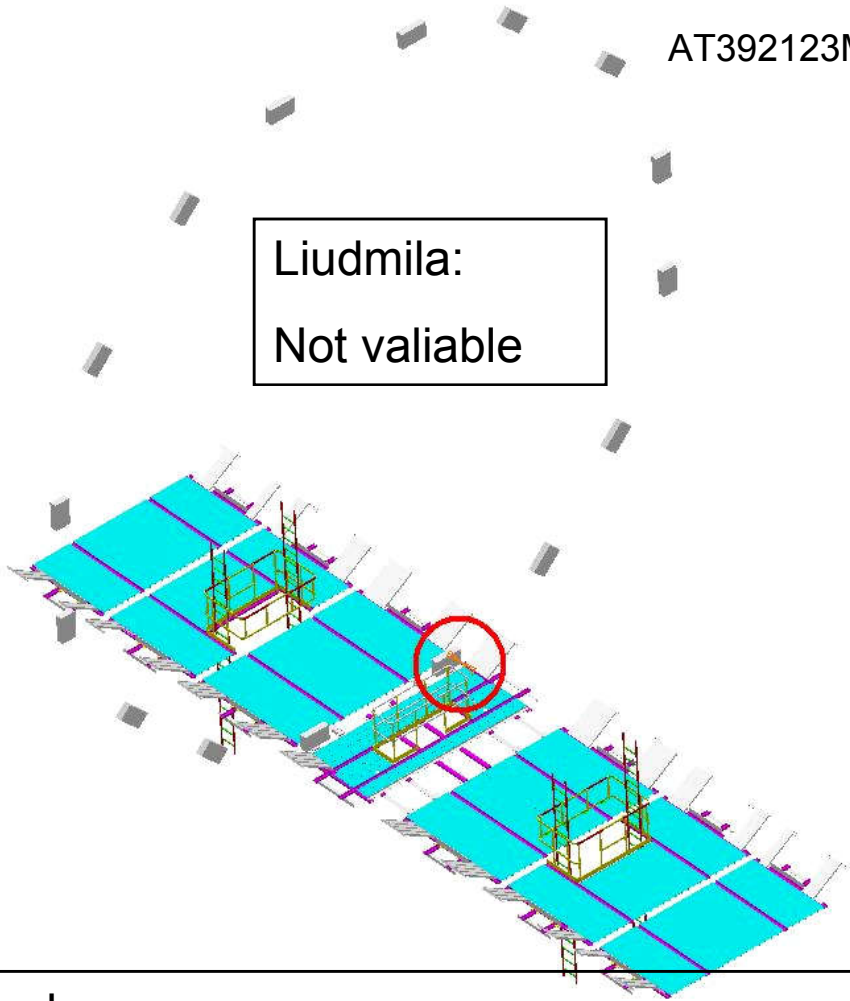
Conflict list of AT392122MQ – *TOP LEVEL ACCESS PLATFORMS*
(SECTOR 13) with Services:

	<i>Platform</i>	<i>Services</i>	<i>Conflict</i>	<i>Value</i>	<i>Status</i>	<i>Revised with</i>	<i>Comments</i>
1	AT392123MQ	NSM__0010 (ELECTRIC BOXES)	Clearance	7.46	Relevant	L.Nikitina	
2	AT392123MQ	NSM__0016 (HEATER CABLE DISTRIBUTION - FOR FOOT REGION)	Clearance	32.62	Not Relevant	L.Nikitina	
3	AT392123MQ	NSR__0007 (CABLE SERVICE - CABLE TRAYS)	Clash	-64.9	Not Relevant	L.Nikitina	

RELEVANT

AT392123MQ / NSM_0010 (ELECTRIC BOXES)

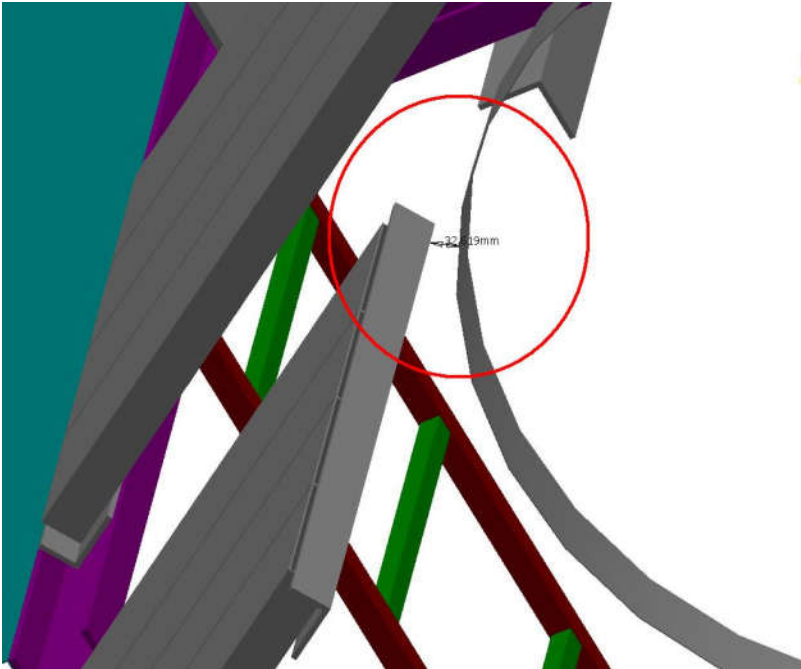
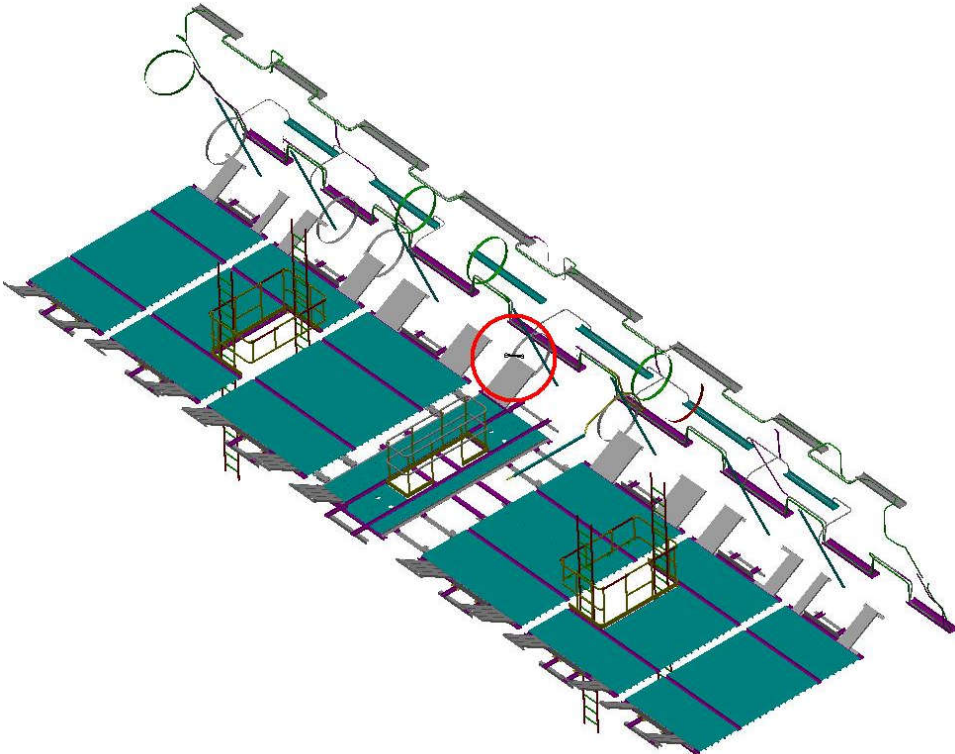
Liudmila:
Not viable



Lasha:
Liudmila Cross-out this conflict while as she told me she suggest other solution regarding boxes. I remain it as RELEVANT to pay attention of integration team

Critical distance with value =7.46mm
Sector 13, Side A

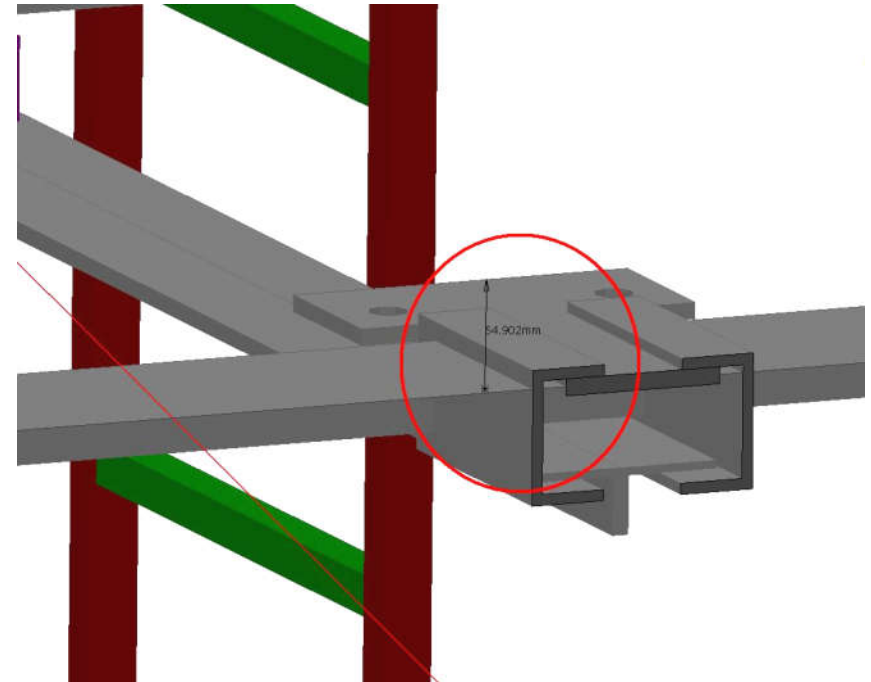
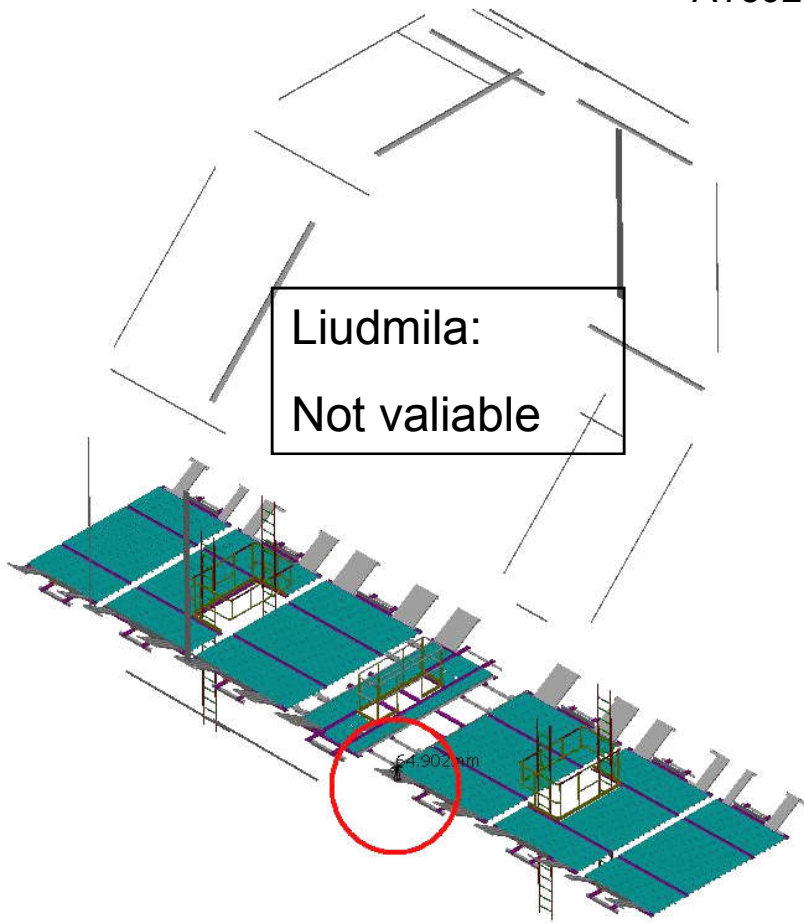
AT392123MQ / NSM_0016 (HEATER CABLE DISTRIBUTION - FOR FOOT REGION)



Liudmila:
Mobile part

Critical distance with value =32.6mm
Sector 13, Side A

AT392123MQ / NSR_0007 (CABLE SERVICE - CABLE TRAYS)



Lasha:

NSR_0007 is really old coming from ELEONORA SELETSKAIA and dated by 25-AUG-2003

Clash with value =65mm

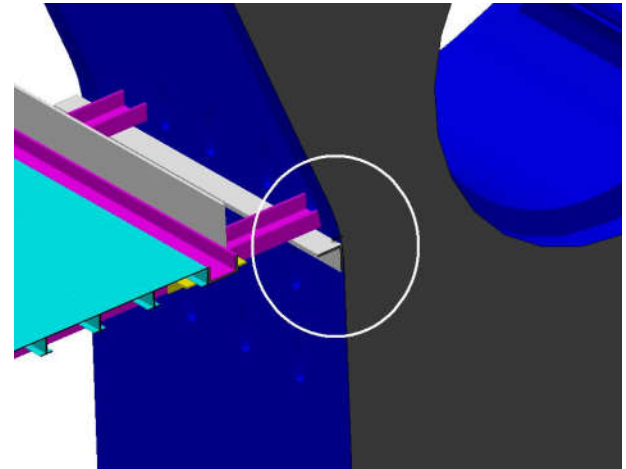
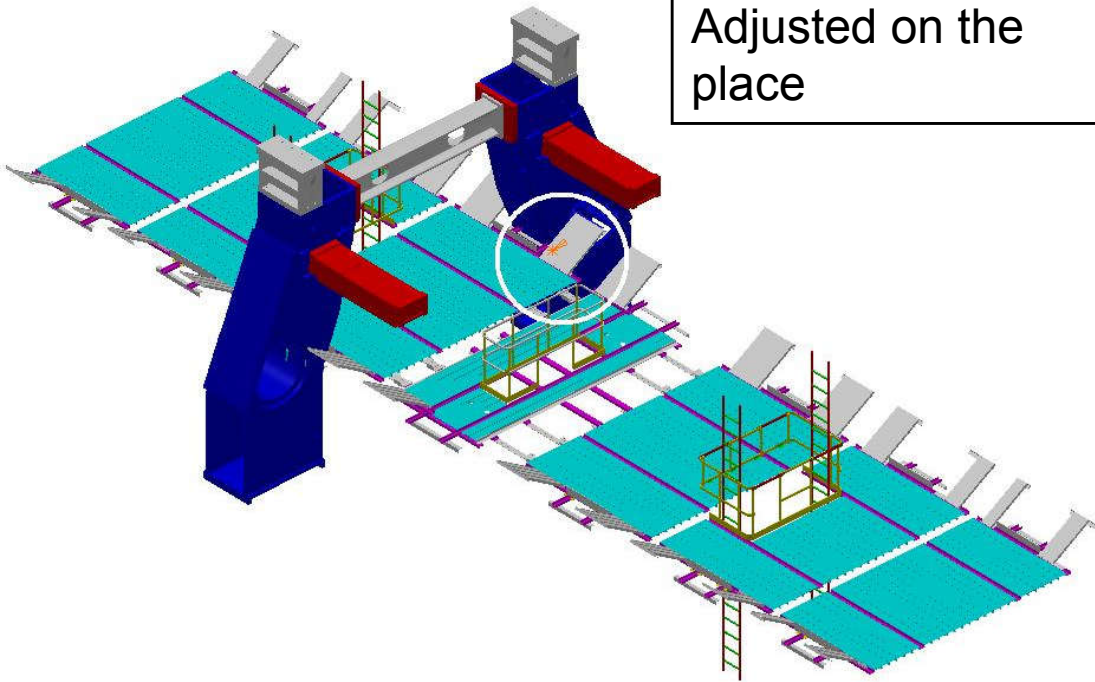
Sector 13, Side C

Conflict list of AT392123MQ – BOTTOM LEVEL ACCESS PLATFORMS (SECTOR 13)
with Support Structure:

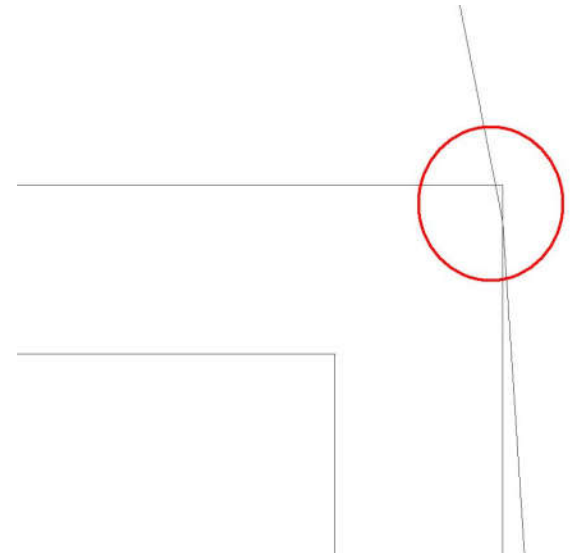
	<i>Platform</i>	<i>Support Structure</i>	<i>Conflict</i>	<i>Value</i>	<i>Status</i>	<i>Revised with</i>	<i>Comments</i>
1	AT392123MQ	VHB__0002 (STANDARD PAIR OF FEET A1 (C1))	Clash	-0.19	Not Relevant	L.Nikitina	Interface
2	AT392123MQ	VHB__0003 (STANDARD PAIR OF FEET A2 (C2))	Clash	-3.4	Not Relevant	L.Nikitina	Adjustable
3	AT392123MQ	VHB__0004 (STANDARD PAIR OF FEET A3 (C3))	Clash	-6.9	Not Relevant	L.Nikitina	Parts can be moved
4	AT392123MQ	ATCVHB_0002 M (STANDARD PAIR OF FEET A1 (C1) Side C)	Clash	-0.19	Not Relevant	L.Nikitina	Adjustable
5	AT392123MQ	ATCVHB_0003 M (STANDARD PAIR OF FEET A2 (C2) Side C)	Clash	-3.38	Not Relevant	L.Nikitina	Parts can be moved
6	AT392123MQ	ATCVHB_0004 M (STANDARD PAIR OF FEET A3 (C3) Side C)	Clash	-6.93	Not Relevant	L.Nikitina	Parts can be moved
7	AT392123MQ	ZHX__0001 (Envelope of Access Structures)	Clash	-806.67	Not revised		
8	AT392123MQ	VHB__0001 (CENTRAL PAIR OF FEET B)	Contact	0	Not revised		

AT392123MQ / VHB_0002 (STANDARD PAIR OF FEET A1 (C1))

Liudmila:
Adjusted on the
place

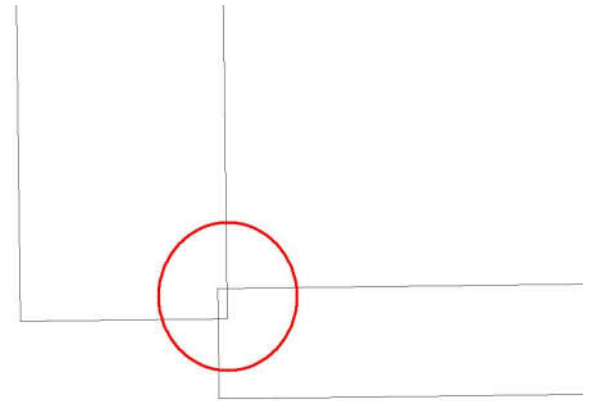
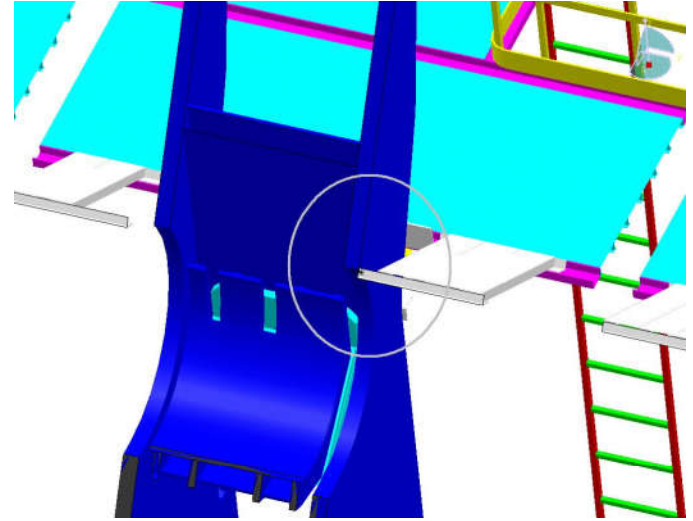


Clash with value =0.19mm
Sector 13, Side A



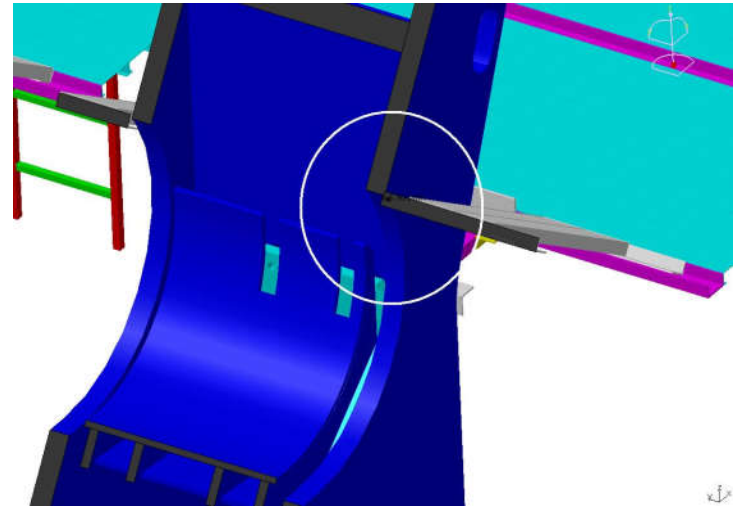
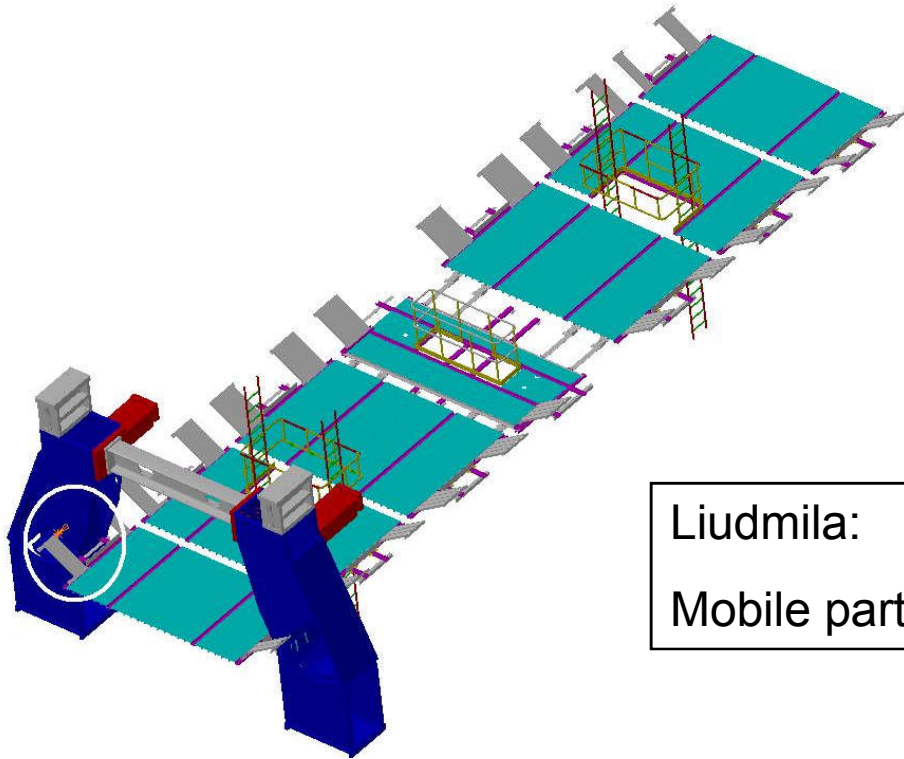
AT392123MQ / VHB_0003 (STANDARD PAIR OF FEET A2 (C2))

Liudmila:
Mobile part



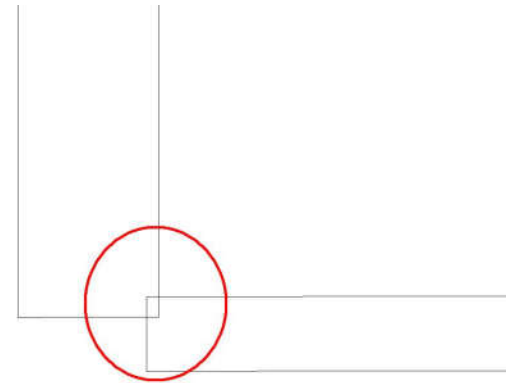
Clash with value =3.4mm
Sector 13, Side A

AT392123MQ / VHB_0004 (STANDARD PAIR OF FEET A3 (C3))

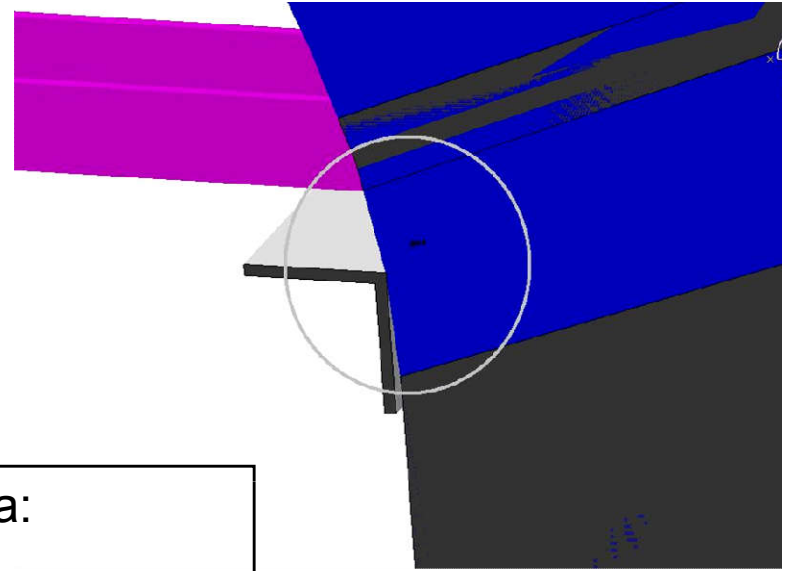
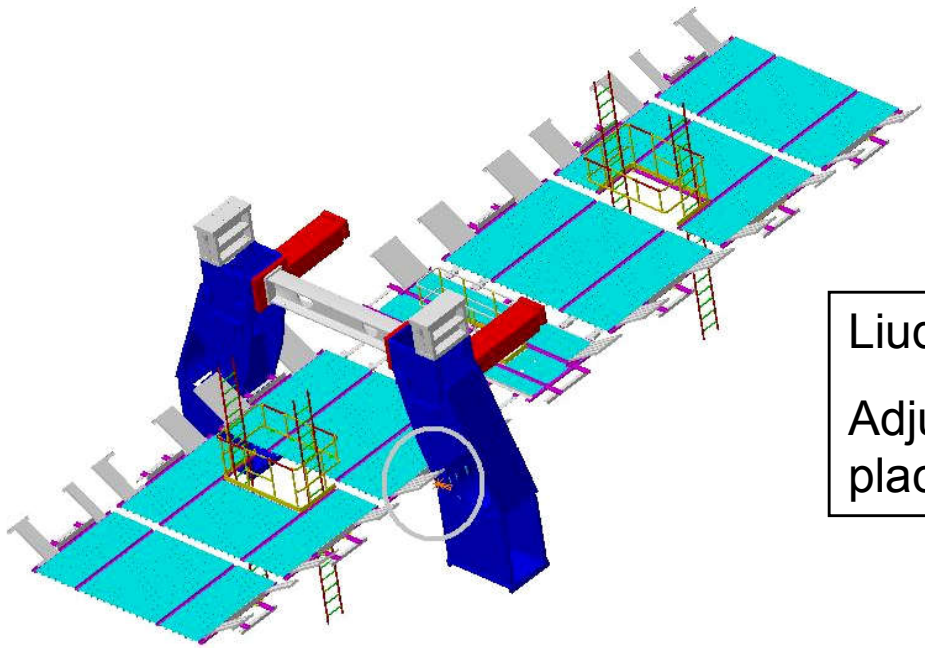


Liudmila:
Mobile part

Clash with value =7mm
Sector 13, Side A

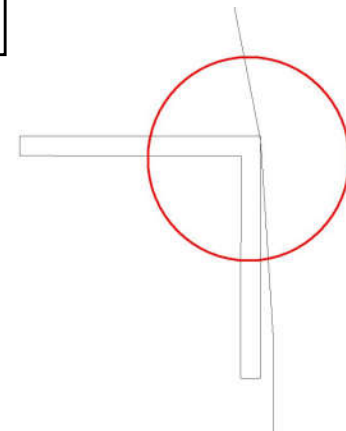


AT392123MQ / VHB_0002 M (STANDARD PAIR OF FEET A1 (C1) Side C)



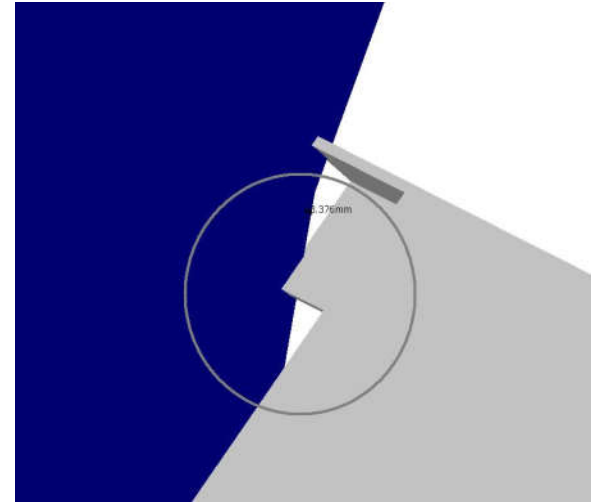
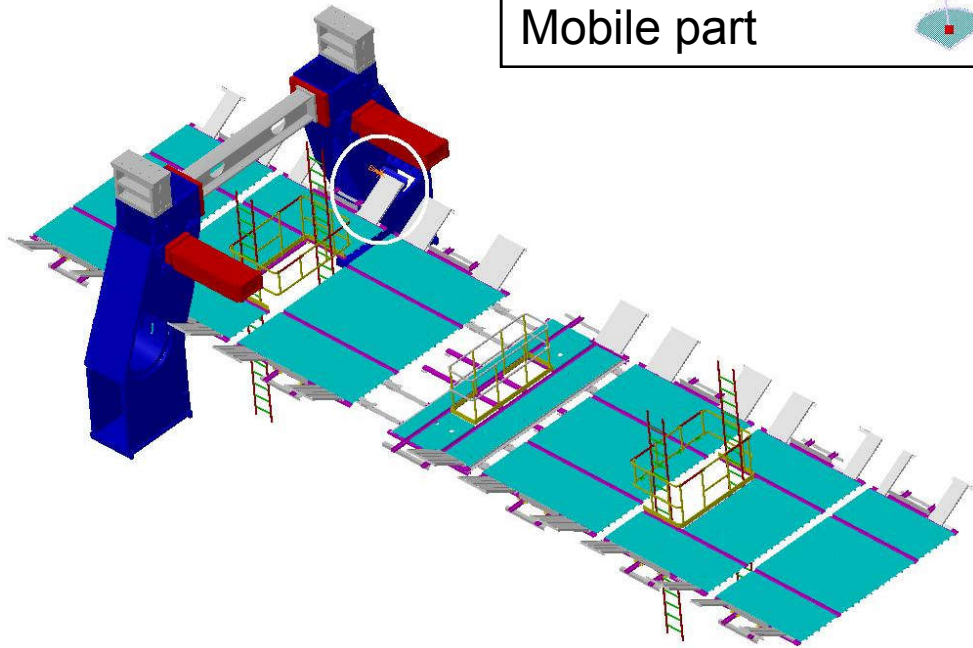
Liudmila:
Adjusted on the
place

Clash with value =0.2 mm
Sector 13, Side C

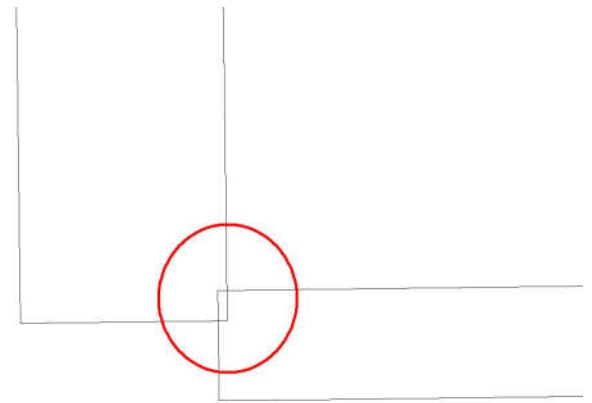


AT392123MQ / VHB_0003 M (STANDARD PAIR OF FEET A2 (C2) Side C)

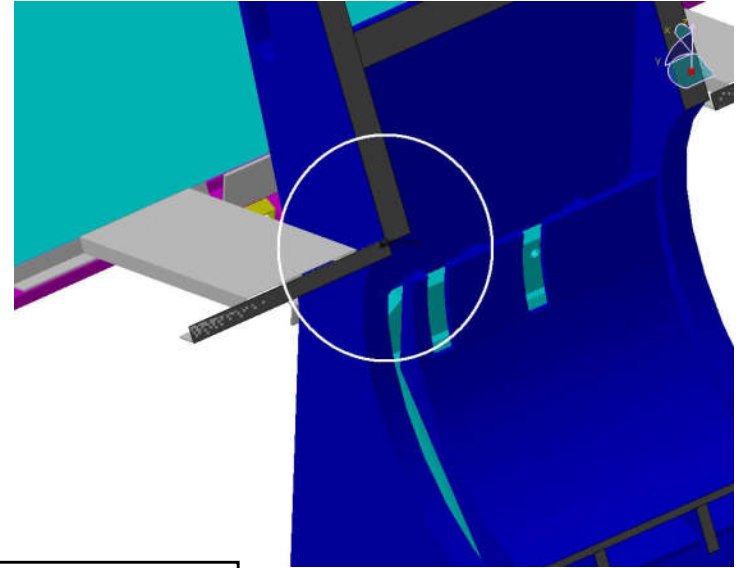
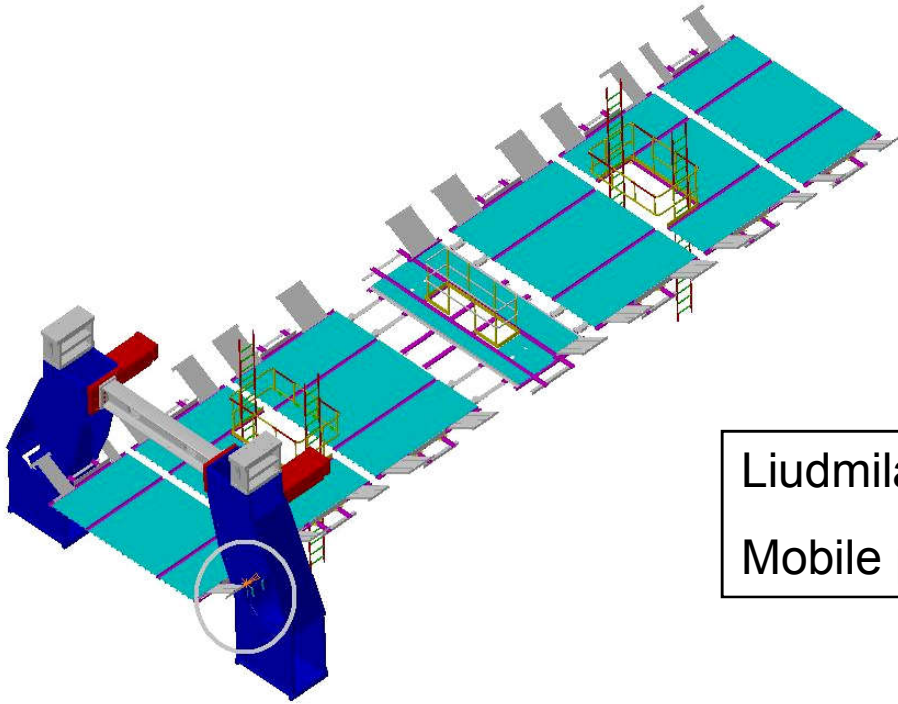
Liudmila:
Mobile part



Clash with value =3.4mm
Sector 13, Side C

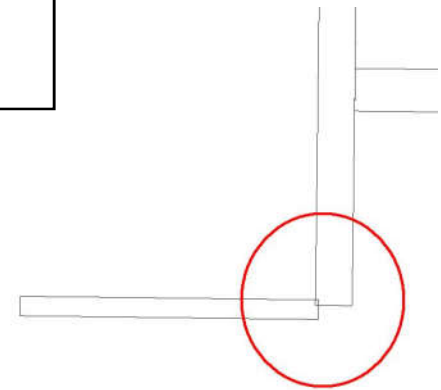


AT392123MQ / VHB_0004 (STANDARD PAIR OF FEET A3 (C3) Side C)



Liudmila:
Mobile part

Clash with value =3.4mm
Sector 13, Side C



Conclusion:

Summary: Total conflicts detected - 15
Number of revised - 13
Number of Relevant - 3